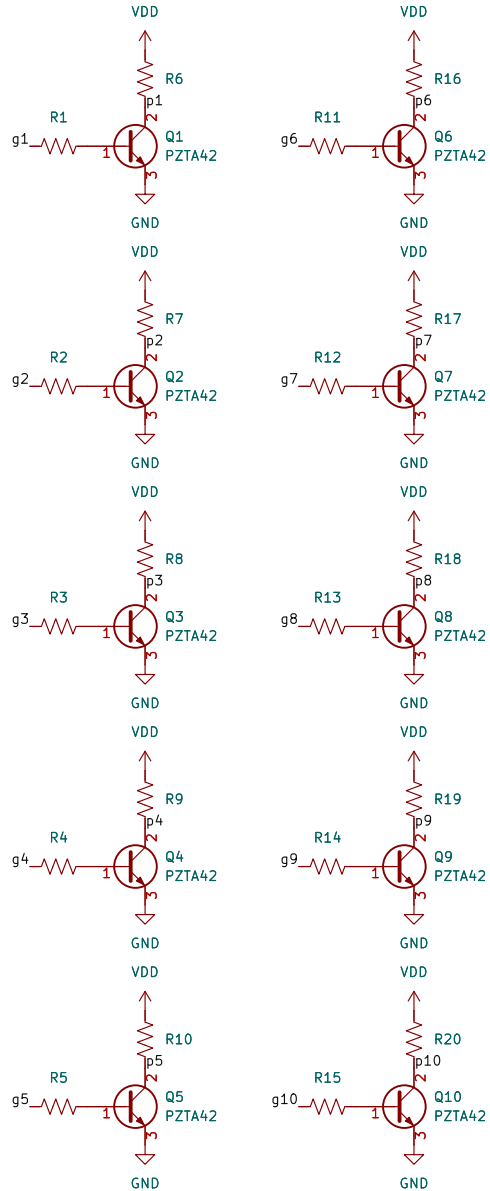
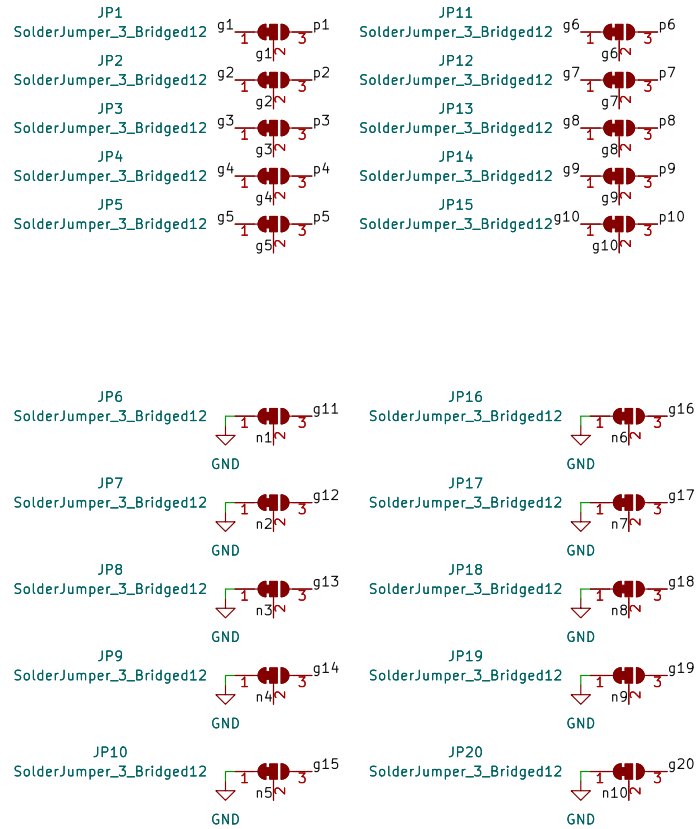


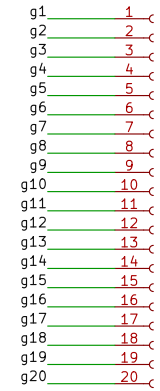
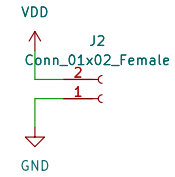
High voltage switching circuitry



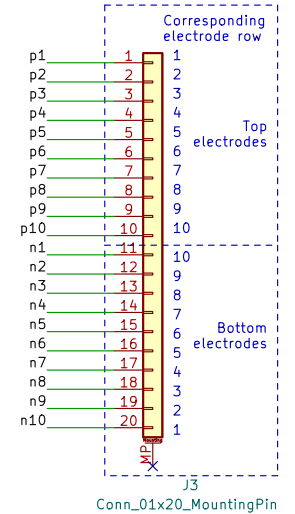
Solder jumper bridges to turn this board into an FFC connector breakout



1/0



J1
Conn_01x20_Female



J3
Conn_01x20_MountingPin